



**Atherton**  
bikes

TECHNICAL INFORMATION  
AM.200.M

# FRAME SPECIFICATION



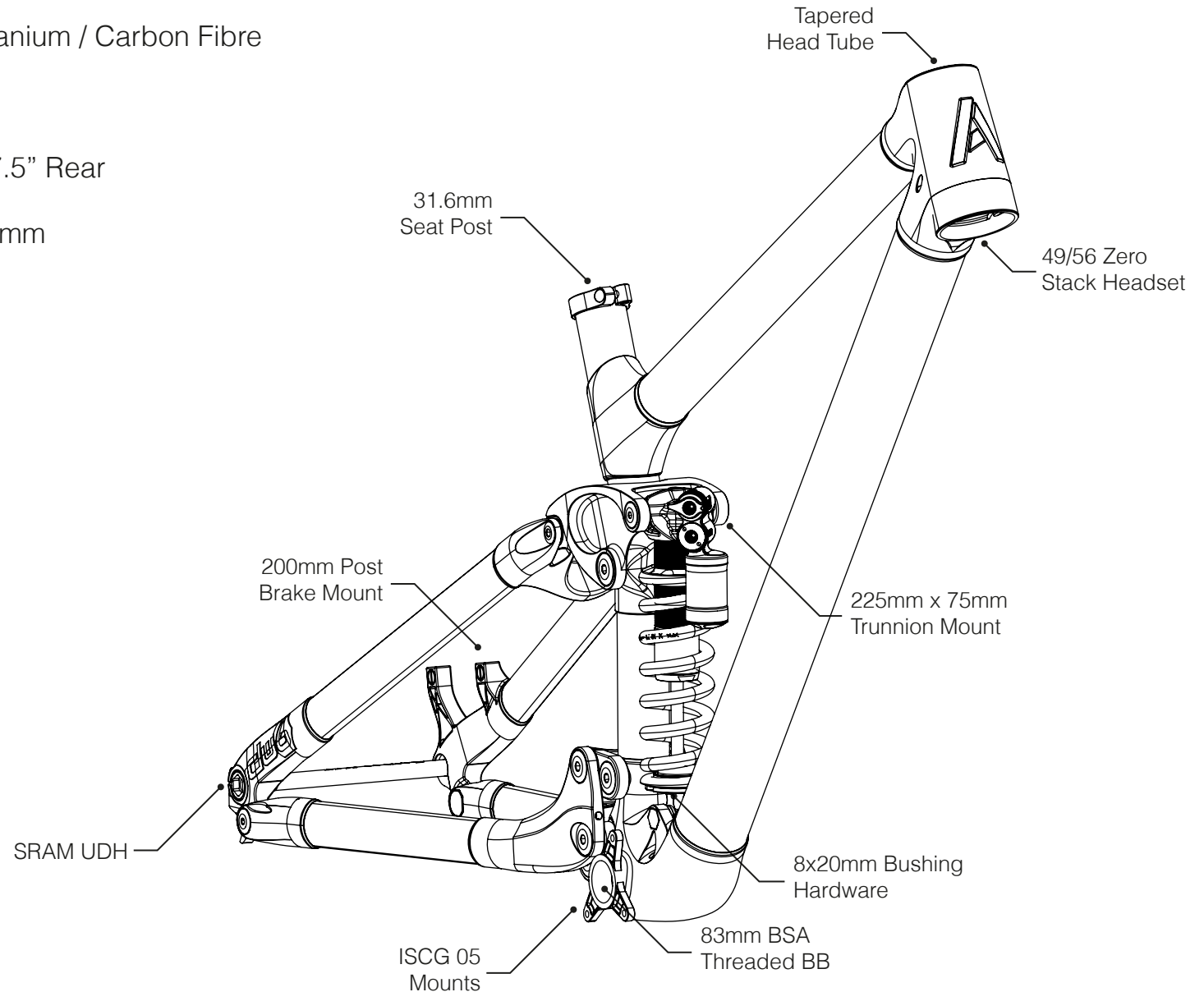
Frame Construction: Bonded Titanium / Carbon Fibre

Rear Travel: 200mm

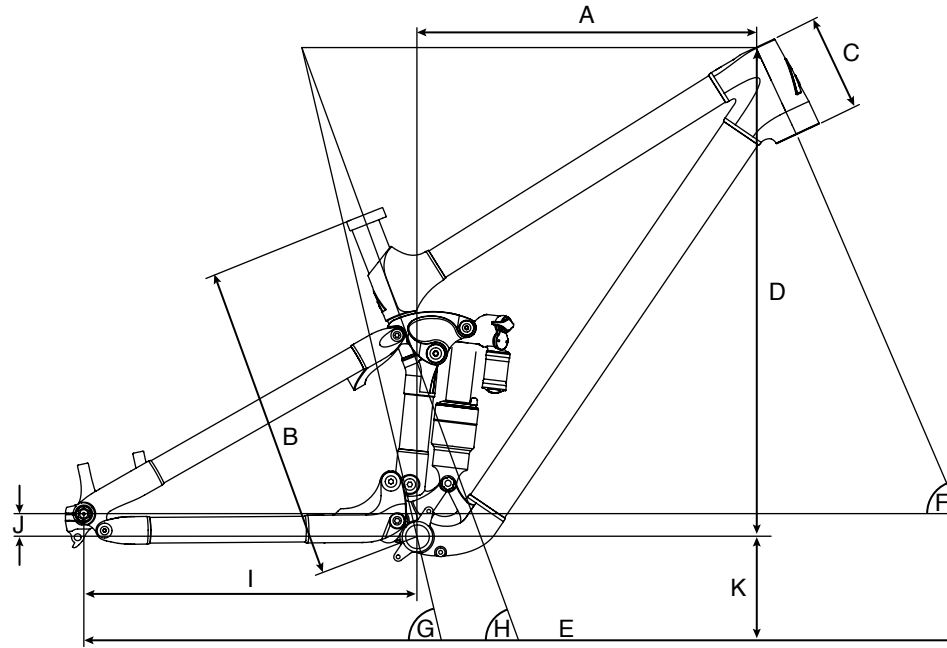
Wheel Size: Mullet: 29" Front, 27.5" Rear

Rear Axle Spacing: 157mm X 12mm

Cable Routing: Internal



# FRAME GEOMETRY



Size	A Reach (mm)	B Seattube Length(mm)	C Headtube (mm)	D Stack (mm)	E Wheelbase (mm)	F Head Angle (°)	G Effective Seattube Angle (°)	H Actual Seattube Angle (°)	I Chainstay (mm)	J BB Offset (mm)	K BB Height (mm)
1	410	420	100	628	1221	63	76	69	445	-5	350
2	420	420	100	628	1231	63	76	69	445	-5	350
3	430	420	100	628	1241	63	76	69	445	-5	350
4	440	420	100	628	1251	63	76	69	445	-5	350
5	450	420	110	636	1271	63	76	69	450	-5	350
6	460	420	110	636	1281	63	76	69	450	-5	350
7	470	420	110	636	1291	63	76	69	450	-5	350
8	480	420	110	636	1301	63	76	69	450	-5	350
9	490	420	120	645	1321	63	76	69	455	-5	350
10	500	420	120	645	1331	63	76	69	455	-5	350
11	510	420	120	645	1341	63	76	69	455	-5	350
12	520	420	120	645	1351	63	76	69	455	-5	350



# FRAME HARDWARE



Ref.	Part No.	Description	Qty.
1	002.2008	SHOCK LOWER MOUNT PIVOT	1
2	002.1004	SPACER (15 x 18 x 2.5)	10
3	011.1001	SOCKET HEAD CAP SCREW M6 X 50	2
4	002.2011	SEAT TUBE PIVOT MALE	3
5	011.1050	BEARING 3802	10
6	101.5003	LOWER LINK	1
7	101.5002	UPPER LINK	1
8	002.2010	PIVOT HEX BOLT	3
9	002.2002	SEAT STAY PIVOT	2
10	011.1051	BEARING 11197-2RS	4
11	002.1002	SPACER (11 x 14 x 2.5)	4
12	002.2011	SEAT TUBE PIVOT FEMALE	3
13	002.2009	SHOCK UPPER MOUNT	2
14	101.5001	ROCKER	1
15	101.0005	SEAT STAY ASSEMBLY	1
16	011.1002	SOCKET HEAD CAP SCREW M6 X 60	1
17	002.2007	YOKE PIVOT UPPER	4
18	002.2001	DROPOUT PIVOT	2
19	011.1052	BEARING 698 LLU MAX-E	4
20	002.2003	REAR END SCREW CAP	2
21	011.1004	M5 X 10 T25 PAN HEAD TORX	2

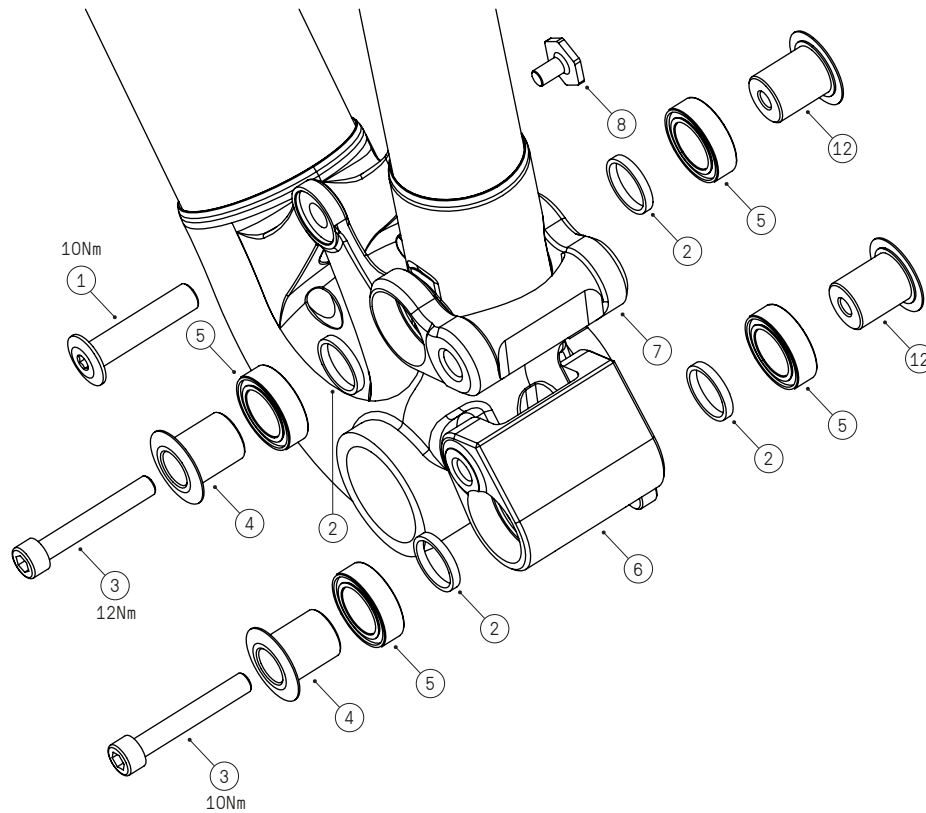
Ref.	Part No.	Description	Qty.
22	011.1007	M6 BARREL NUT	2
23	002.2025	12 X 157 ATHERTON REAR AXLE	1
24		UDH FRAME WASHER	1
25	00.7918.093.000	UDH BOLT	1
26		UDH REAR DERAILLEUR HANGER	1
27	011.1005	SOCKET HEAD CAP SCREW M5 X 14	1
28	011.1006	M5 BARREL NUT	1
29	001.1007	SEAT POST CLAMP	1

## Additional Information:

- Loctite 241 thread lock to be applied to threaded sections of all bolts (excluding seat clamp, BB shell and wheel axle).
- Multi-purpose grease to be applied to all pivot shafts, the rear axle shaft and the bearing housings.
- Torque values are location specific (see exploded diagrams).

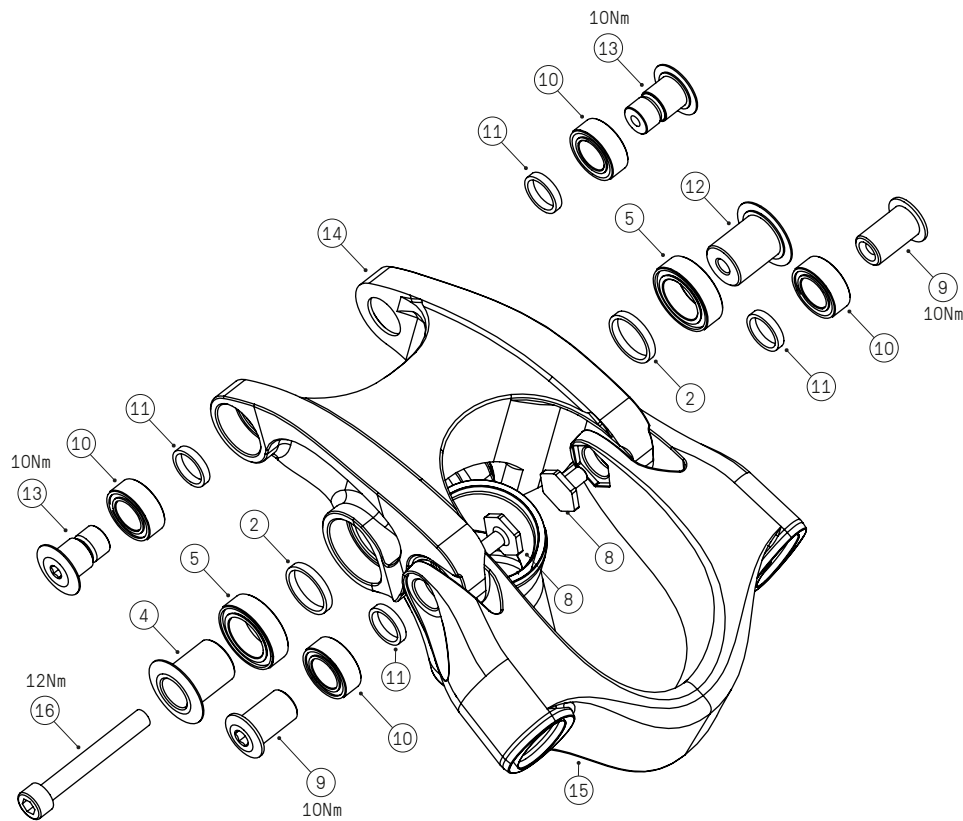


# LOWER LINKAGE ASSEMBLY



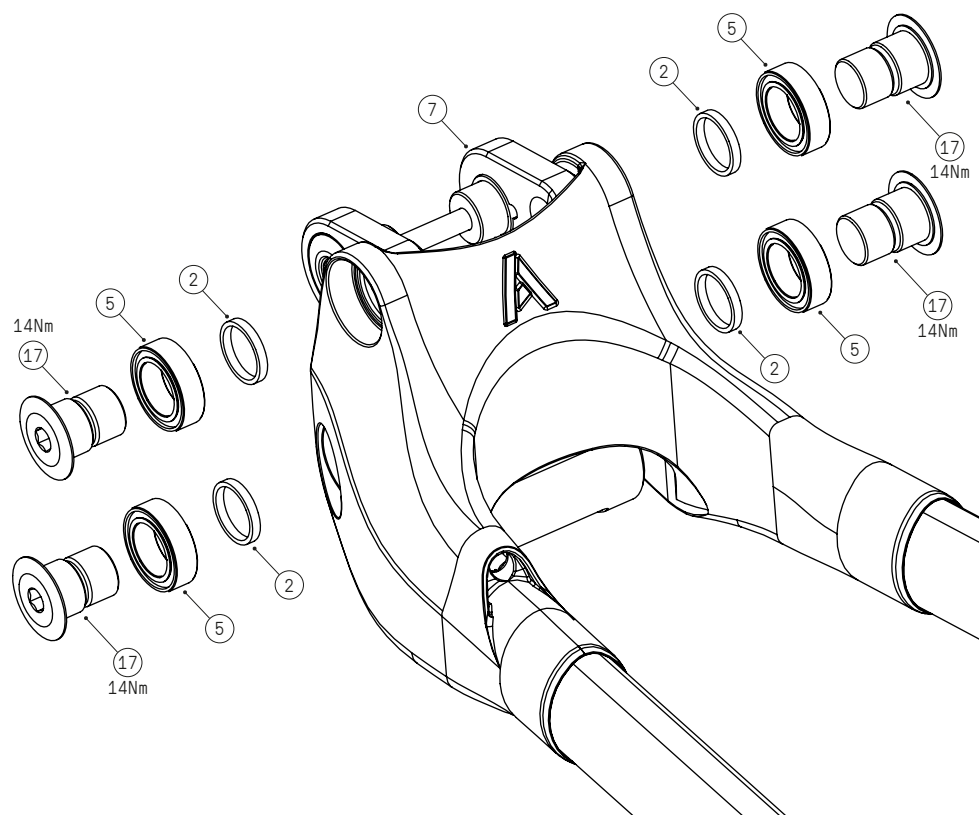
Ref.	Part No.	Description	Qty.
1	002.2008	SHOCK LOWER MOUNT PIVOT	1
2	002.1004	SPACER (15 x 18 x 2.5)	4
3	011.1001	SOCKET HEAD CAP SCREW M6 X 50	2
4	002.2011	SEAT TUBE PIVOT MALE	2
5	011.1050	BEARING 3802	4
6	101.5003	LOWER LINK	1
7	101.5002	UPPER LINK	1
8	002.2010	PIVOT HEX BOLT	1
12	002.2011	SEAT TUBE PIVOT FEMALE	2

# ROCKER LINKAGE ASSEMBLY



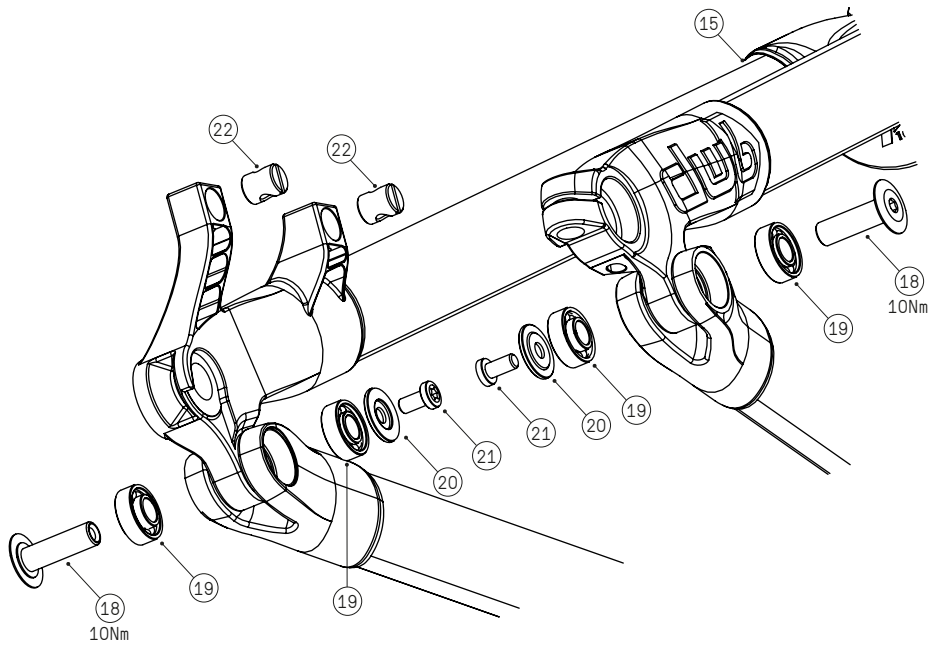
Ref.	Part No.	Description	Qty.
2	002.1004	SPACER (15 x 18 x 2.5)	2
4	002.2011	SEAT TUBE PIVOT MALE	1
5	011.1050	BEARING 3802	2
8	002.2010	PIVOT HEX BOLT	2
9	002.2002	SEAT STAY PIVOT	2
10	011.1051	BEARING 11197-2RS	4
11	002.1002	SPACER (11 x 14 x 2.5)	4
12	002.2011	SEAT TUBE PIVOT FEMALE	1
13	002.2009	SHOCK UPPER MOUNT	2
14	101.5001	ROCKER	1
15	101.0005	SEAT STAY ASSEMBLY	1
16	011.1002	SOCKET HEAD CAP SCREW M6 X 60	1

# SWINGARM LINKAGE ASSEMBLY



Ref.	Part No.	Description	Qty.
2	002.1004	SPACER (15 x 18 x 2.5)	4
5	011.1050	BEARING 3802	4
7	101.5002	UPPER LINK	1
17	002.2007	YOKE PIVOT UPPER	4

# REAR ASSEMBLY

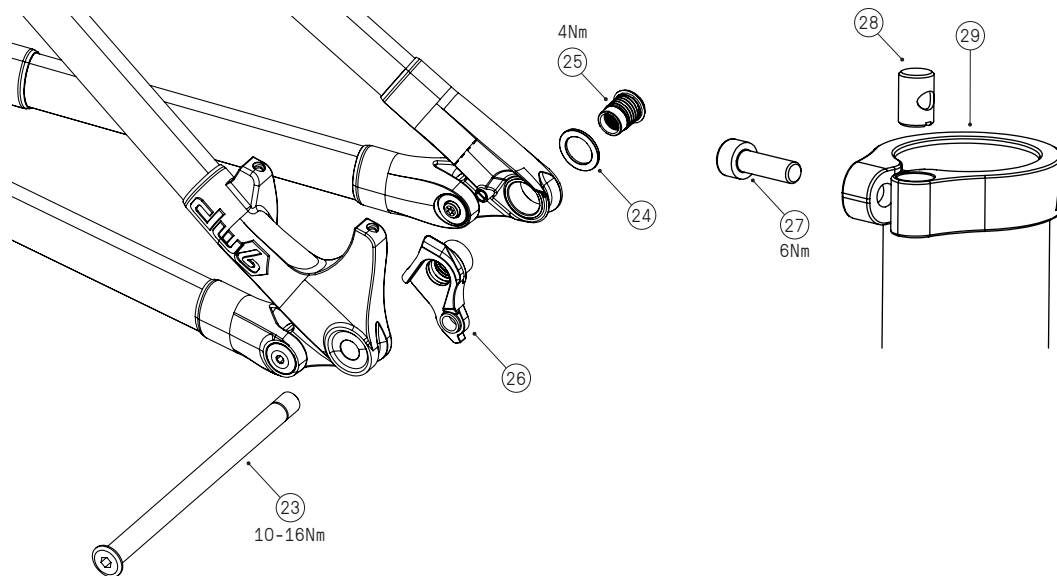


Ref.	Part No.	Description	Qty.
15	101.0005	SEAT STAY ASSEMBLY	1
18	002.2001	DROPOUT PIVOT	2
19	011.1052	BEARING 698 LLU MAX-E	4
20	002.2003	REAR END SCREW CAP	2
21	011.1004	M5 X 10 T25 PAN HEAD TORX	2
22	011.1007	M6 BARREL NUT	2





# REAR AXLE/HANGER & SEAT CLAMP ASSEMBLY



Ref.	Part No.	Description	Qty.
23	002.2025	12 X 157 ATHERTON REAR AXLE	1
24		UDH FRAME WASHER	1
25	00.7918.093.000	UDH BOLT	1
26		UDH REAR DERAILLEUR HANGER	1
27	011.1005	SOCKET HEAD CAP SCREW M5 X 14	1
28	011.1006	M5 BARREL NUT	1
29	001.1007	SEAT POST CLAMP	1

# CONTACT

Email: [sales@athertonbikes.com](mailto:sales@athertonbikes.com)

Web: [www.athertonbikes.com](http://www.athertonbikes.com)

**Atherton**  
bikes